


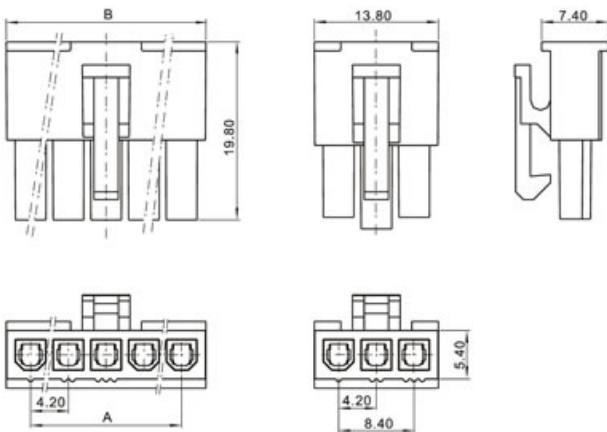
◆ SPECIFICATIONS

Unit:mm

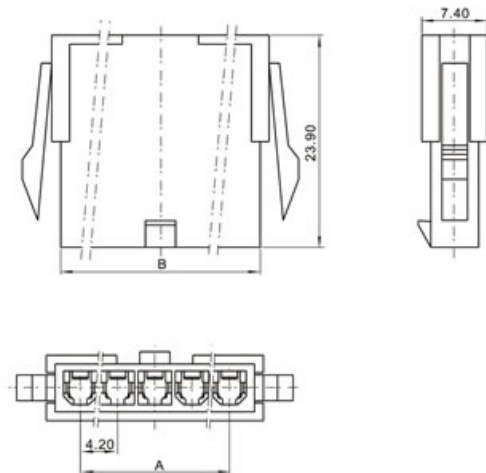
- ◇ Poles: 3~5
- ◇ Applicable wire: AWG#28-#20
- ◇ Voltage rating: 300V DC/AC
- ◇ Current rating: 9A
- ◇ Withstand voltage: 1500V AC
- ◇ Working Temperature: -25°C ~ +85°C
- ◇ Insulation resistance: $\geq 1000M\Omega$
- ◇ Contact resistance: $\leq 0.015\Omega$
- ◇ Applicable PC board thickness: 1.6mm

 **UL:Recognized No.E309635**
RoHS-specification and Halogen-free products

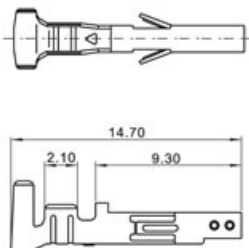
5557-nP



5557-nR

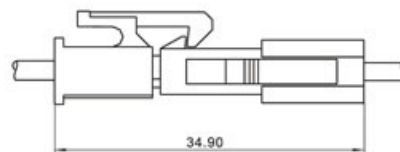


5557-PT

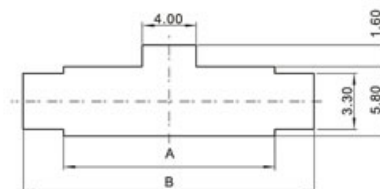
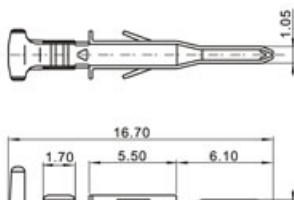


Mounting Measurement

Unit:mm



5557-RT





Terminal(5557)

Type	Applicable wires		O.D of wire ins	Material	Finish
	mm ²	AWG#	mm		
BM-5557	0.08-0.3	28-20	0.90-1.90mm	Phos.bronze	Tin-plated

Poles	Type	Size(mm)	
		A	B
3	5557-3P	8.40	14.00
4	5557-4P	12.60	18.20
5	5557-5P	16.80	22.40

Poles	Type	Size(mm)	
		A	B
3	5557-3R	8.40	13.80
4	5557-4R	12.60	18.00
5	5557-5R	22.20	22.20

点击次数: 15205 发布时间: 2010-6-14 [【打印】](#) [【返回】](#)

